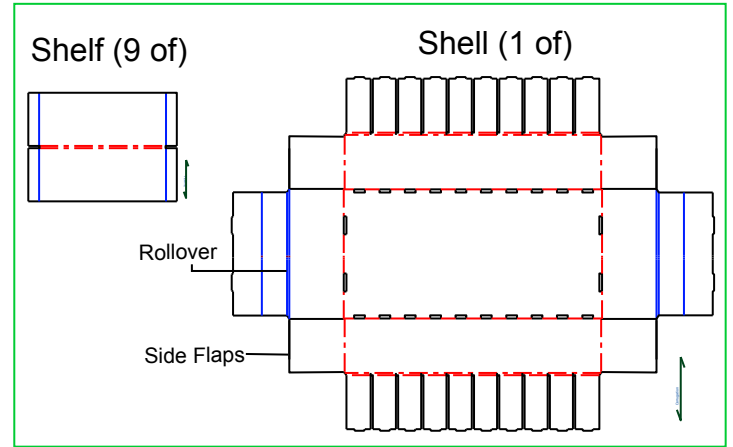
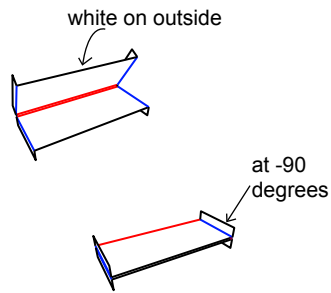


# ASSEMBLY INSTRUCTIONS

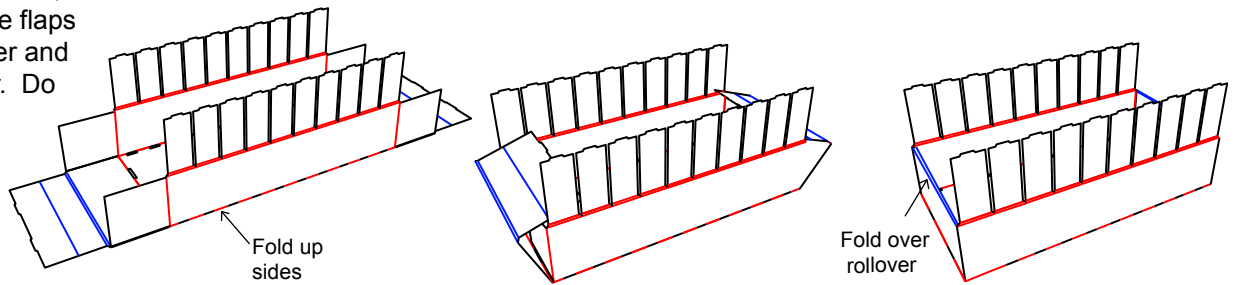
## Ink Pad Palace

(16 Dec 03)

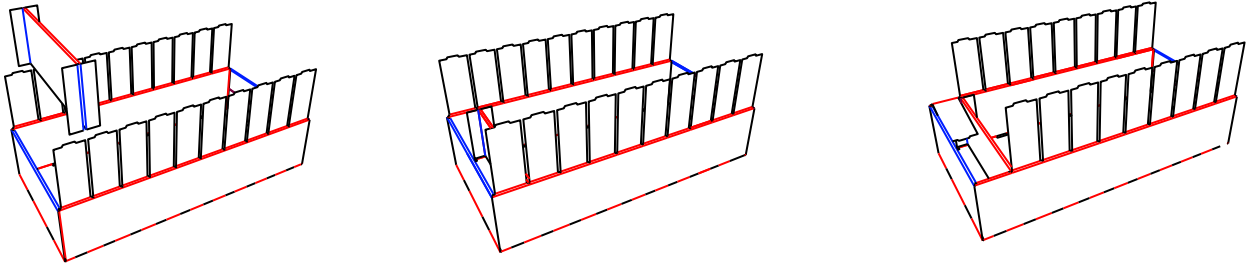
1.  Pre-fold all shelves;  
 folding outside flaps  
 at -90 degrees.



2.  Fold up sides of shell;  
 bring the two side flaps  
 toward each other and  
 fold over rollover. Do  
 this at each end.



3.  Place shelf into shell, lining up the shelf with the space between the flaps on the side.  
 Roll over the flaps on each side to secure each side of the shelf.



4.  Continue until all flaps are folded in.

